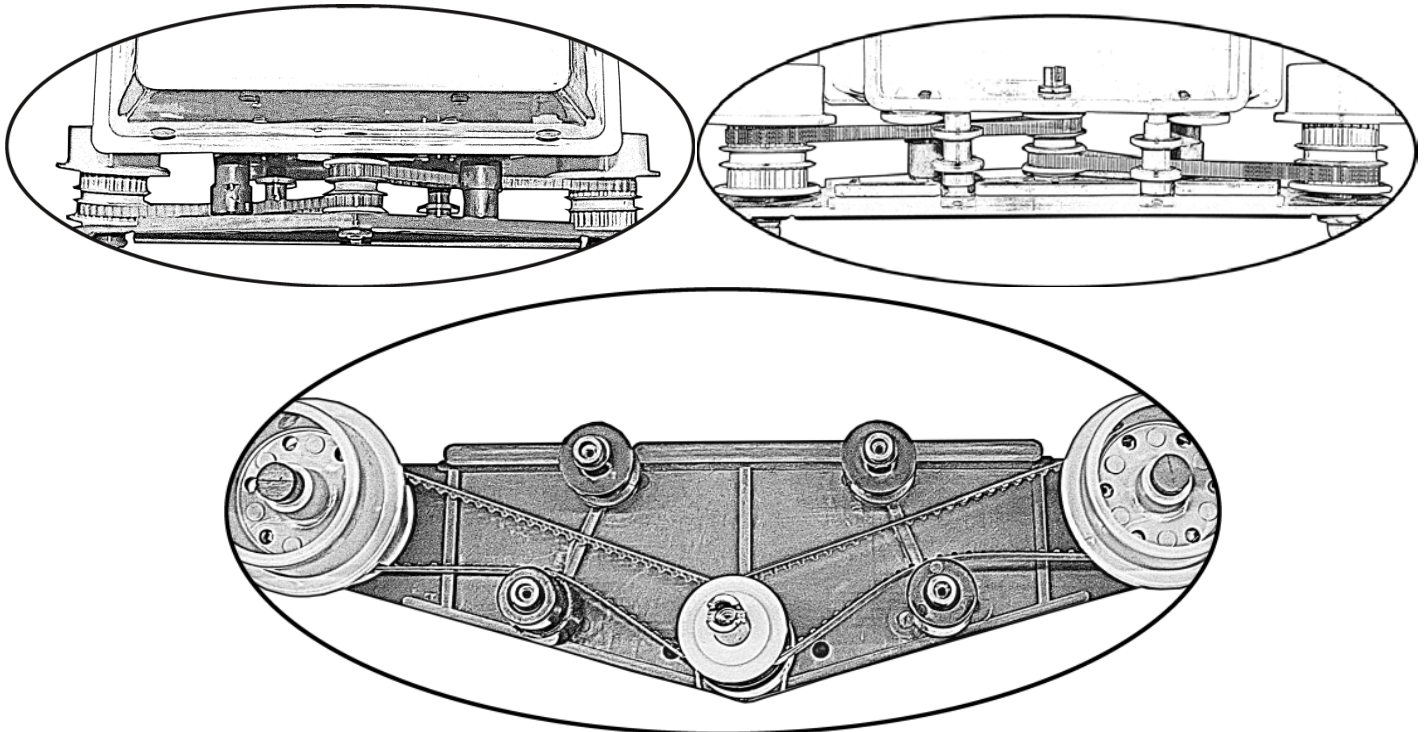

AQUAQUALITY POOLS & SPAS, INC.
ROBOTIC POOL CLEANER REPAIRS
169 Post Avenue, Westbury, NY 11590-3457
TOMCAT[®] Discount Parts & Repairs: Call Toll Free: (866) 876-8643
www.AquaqualityPools.com **Aquaquality@msn.com**

INSTALLATION OF DRIVE BELTS

1. Turn the cleaner upside down and remove the bottom lid assembly (This is the tray which holds the filter bag).
2. Remove the large rubber drive tracks (These are the tank-like treads on the outer sides of the cleaner) by pulling them away from the cleaner (At the point closest to the top wheel tube - This is the long roller that has the brushes wrapped around it) while rotating the top wheel tube away from you.
3. Remove bushings. **NOTE:** If installed on your cleaner, first use a screwdriver to remove the stainless-steel retaining rings located on the outer ends of the wheel tubes.
4. Looking into the body of the cleaner, locate the four screws on the drive motor side, which hold the side plate in place. Remove these four screws. **IMPORTANT:** Before removing these screws, take note of the location of the belts, sleeve rollers, and drive pulley for re-assembly.
5. **NOTE:** If installed on your cleaner, replace the old sleeve rollers with the Aquaquality TOMCAT[®] replacement part Aquaquality Pools P/N: 001-0740* (replacement for Aqua Products P/N: 3506) as shown below. The new stepped sleeve rollers are needed in order for the new drive belts to work properly. Remove the old belts and replace them with the new belts.
6. Reverse steps 4 through 1 to complete the installation.

FOR THE TYPHOON, MERLIN & OLD MODEL BRAVO CLEANERS ONLY, INSTALL THE DRIVE BELTS ON THE "LITTLE END" OF THE STEPPED SLEEVE ROLLERS WITH AQUAQUALITY TOMCAT[®] REPLACEMENT PART AQUAQUALITY POOLS P/N: 001-0740* (REPLACEMENT FOR AQUA PRODUCTS P/N: 3506). THIS IS OPPOSITE TO THE PICTURE SHOWN BELOW.



*These TOMCAT[®] parts are manufactured by Aquaquality Pools & Spas, inc. and are not made by Aqua Products, Inc. TOMCAT[®] parts are lower priced for valued savings combined with high quality!!